

















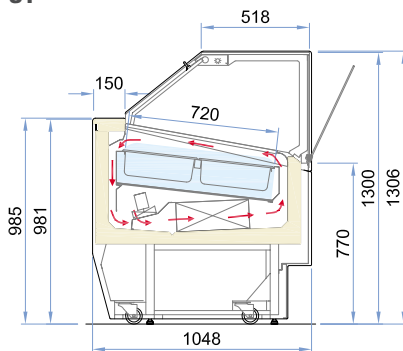
## FRONT PANEL- AVAILABLE COLOURS(LACQUERED FINISHES)

Gray E_Z065 	Sky blue RAL 5005 	White RAL 9003 	Orange RAL 2001 	Pearly beige RAL 1035 	Red RAL 3020 	Lemon RAL 1032 	Aluminium RAL 9006 
PM_02 Grey E_Z 065 	PM_02 Orange RAL 2001 	PM_02 Sky blue RAL 5005 	PM_02 White RAL 9003 	PM_02 Lemon RAL 1032 	PM_02 Red RAL 3020 		

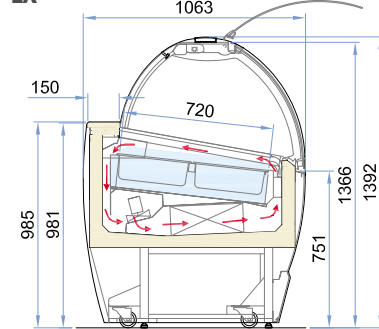
## FRONT PANEL- ADHESIVES

PM_AD1 	PM_AD2 	PM_AD3 	PM_AD5 Orange 	PM_AD6 Lemon 	Mixed flowers Orange 	Mixed flowers White 	Mixed flowers Black 
---	---	---	--	---	--	--	--

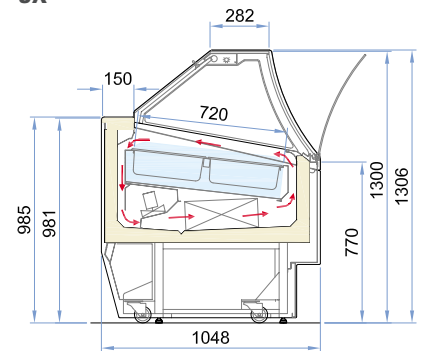
ST



LX



JX



MODEL			12	16	18	20	24	12+12
			RV	RV	RV	RV	RV	RV
External dimensions	L x P x H	mm ST-JX	1143 x 1048 x 1306	1503 x 1048 x 1306	1673 x 1048 x 1306	1843 x 1048 x 1306	2183 x 1048 x 1306	2183 x 1048 x 1306
		mm LX	1143 x 1062 x 1392	1503 x 1062 x 1392	1673 x 1062 x 1392	1843 x 1062 x 1392	2183 x 1062 x 1392	2183 x 1062 x 1392
Refrigerant			R404A	R404A	R404A	R404A	R404A	R404A
Refrigeration			Ventilated	Ventilated	Ventilated	Ventilated	Ventilated	Ventilated
Capacity	Gross - Net	lt	630 - 118	870 / 160	970 / 181	1080 / 201	1300 / 241	1300 / 241
Adjustment temperature		°C	-20 / +2	-20 / +2	-20 / +2	-20 / +2	-20 / +2	-20 / +2
Product temperature		°C	-16 / -14	-16 / -14	-16 / -14	-16 / -14	-16 / -14	-16 / -14
Defrost			Reverse cycle	Reverse cycle	Reverse cycle	Reverse cycle	Reverse cycle	Reverse cycle
Climatic class		No.	7	7	7	7	7	7
Environmental conditions		°C/%RH	35 / 75	35 / 75	35 / 75	35 / 75	35 / 75	35 / 75
Compressor		Type - No.	Hermetic - 1	Hermetic - 2	Hermetic - 2	Hermetic - 2	Hermetic - 2	Hermetic - 2
Power supply		V/ph/Hz	230 / 1 / 50	230 / 1 / 50	230 / 1 / 50	230 / 1 / 50	230 / 1 / 50	230 / 1 / 50
Electrical input	Standard	W/A	1650 / 7.8	1950 / 8.8	2000 / 8.9	2400 / 11	3140 / 15	2850 / 14
	Defrost	W/A	3500 / 15.6	3990 / 18	4020 / 18	5000 / 20.2	5050 / 20.5	5900 / 25
Net weight		kg	235	303	330	348	437	470