

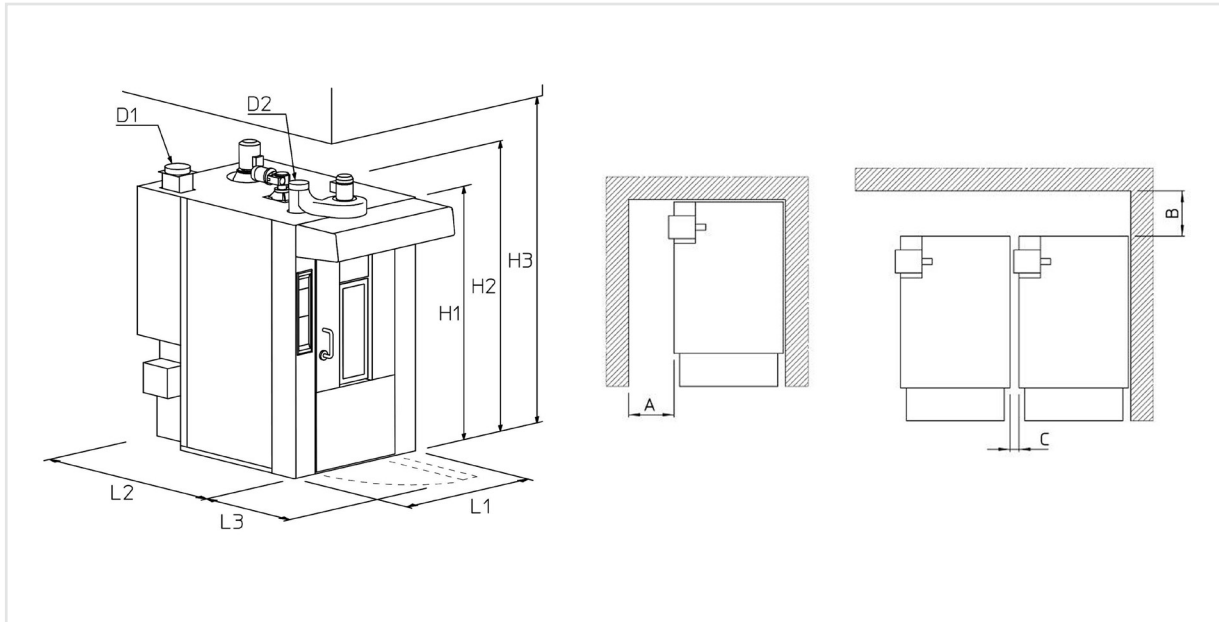
ROTO CLASSIC



- Steamers with automatic feed
- Hood with exhaust fan
- Door with double glass
- El/elements heat generator.(SE)
- Standard rotation device with hook (for ergonomic reasons it's recommended for racks up to 100 kg full load)
- Electric board with extended cables to hang it on oven's sides
- Racks height 1815 mm

| | |
|---------------|---|
| POWER INLET | 400V/3N~/50 |
| FUME EXHAUST | Ø 200 |
| STEAM EXHAUST | Ø 150 (MOD 6080) Ø 250*** (MOD 8095) |

*** Minimum diameter pipe = 200 mm



| Tipo forno Oven | | L1 mm | L2 mm | L3 mm | H1 mm | H2 mm | H3 mm | A mm | B mm | C mm | Scarico fumi Fume exhaust D1 Ø mm | Scarico vapore Steam exhaust D2 Ø mm |
|--------------------|----|-------|-------|-------|-------|-------|-------|------|------|------|---|--|
| 6080 | SC | 1430 | 1930 | 860 | 2200 | 2550 | 2700 | 600 | 600 | 140* | 200 | 150 |
| | SE | | | | | | | 1000 | 0 | 0** | - | 150 |
| 8095 | SC | 1730 | 2225 | 1070 | 2300 | 2670 | 2820 | 600 | 600 | 50* | 200 | 250 *** |
| | SE | | | | | | | 1000 | 0 | 0** | - | 250 *** |

* Distanza minima con bruciatore Riello a gas (per facilitare la manutenzione si consiglia di aumentare la quota di almeno 100 mm)
Minimum distance with Riello gas burner (for easier maintenance we suggest to increase the distance at least 100 mm)

** Per eventuale sostituzione gruppo resistenze è necessario spostamento forno
To replace the electric elements group it is necessary to move the oven

*** Diametro minimo tubazione = 200 mm / Minimum diameter pipe = 200 mm

| | Pan capacity | Pan size | Minimum door width | Weight | Voltage | SC version | | SE version | | | | | | |
|--------------------------|--------------|----------|-----------------------------------|--------|--------------------|------------|--------|------------|------|----|----|--------|----------|-------------|
| | | | | | | n° | passo | mm | mm | kg | kW | kcal/h | Standard | Potentiated |
| | | | | | | | | | | | | | kW | kW |
| ROTO CLASSIC 6080 | 15 | 105 | 600x800 | 500 | 1400 SC 1350 SE | 2,0 | 60.000 | 50,4 | 58,5 | | | | | |
| | 18 | 87 | 2x600x400 | | | | | | | | | | | |
| ROTO CLASSIC 8095 | 15 | 105 | 600x990 | 800 | 1720 SC 1670 SE | 3,0 | 70.000 | 55,3 | 65,8 | | | | | |
| | 18 | 87 | 800x800 2 660x930 2 760x930 | | | | | | | | | | | |