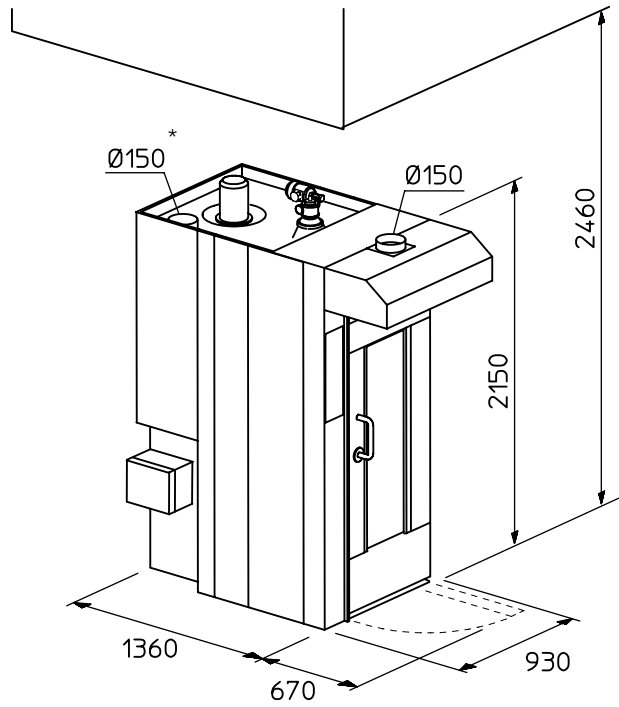


POCKET 4060



- Extremely compact size
- Outside panels in st/st
- Oven shipped in 2 preassembled elements or completely assembled (option)
- Automatic steam exhaust system
- Automatic start
- Hood with exhaust fan
- Double glass door
- Heat generator with armored electric elements (SE)
- Standard rotation device with hook (for racks up to 100 kg full load)
- Electric board with extended cables to hang it on oven's sides
- Air steam condenser integrated in the hood (optional)
- Burner / electric elements on the right side (optional)
- Steam generator with cascade elements with spheres + liter-counter (optional)

Line feeder	400/3N~/50
Water Inlet	Diameter 150 mm
Steam exhaust	Diameter 150 mm



* Only SC version

	Pan capacity		Pan size	Minimum door width	Weight	SC Version		SE Version
	n°	passo	mm	mm		kW	kcal/h	kW
POCKET 4060	15÷18	97÷81	400x600	730	800	1,0	25.000	20,7
POCKET 4060 + vaporiera	15÷18	97÷81	400x600	730	800	1,0	27.000	27,6

SE electric SC with burner