

WIND SERIES 195

- 4060/5
- 4080/5
- 6040/5
- 4060/10
- 4080/10

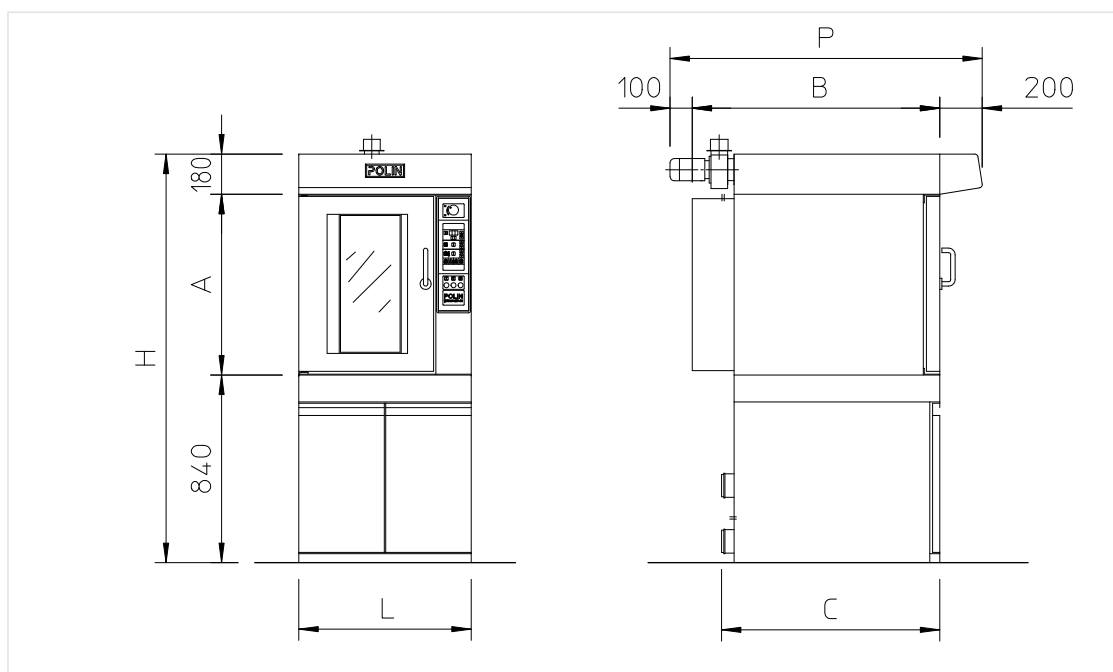


- Computer MULTIBAKE 100 programs
- Weekly automatic start
- Electric board removable from the front for easy maintenance.
- Halogen lamps on the door, easy to change, without tools.
- Sprayed water steamer.
- Door with double glass.

PROOF BOX

- Heating regulation and control
- Humidity regulation and control with probe (optional)
- Internal ventilation for better moisture distribution
- Sliding tray support in the front
- Digital keyboard

POWER INLET	400/3N~/50 Unico 230/1~/50 cell
WATER INLET	Diam 3/8"
WATER DISCHARGE	Diam 1/2"
STEAM EXHAUST	Diam 80 mm



WIND	L	A	B	C	P	H
4060/5	780	540	1120	990	1420	1560
4080/5	780	540	1360	990	1660	1560
6040/5	980	540	920	790	1220	1560
4060/10	780	1080	1120	990	1420	2100
4080/10	780	1080	1360	990	1660	2100

		Pan capacity		Pan size	Minimum door width	Weight	Electrical power
		n°	pitch	mm	mm	kg	kW
4060/5	OVEN	5	78	400x600	550	100	6,5
	PROOF-BOX	16	80	400x600	790	70	2,0
4080/5	OVEN	5	78	400x800	550	120	8,5
	PROOF-BOX	8	80	400x800	790	70	2,0
6040/5	OVEN	5	78	600x400	550	100	8,5
	PROOF-BOX	14	88	600x400	800	75	2,0
4060/10	OVEN	10	89	400x600	790	180	13,0
	PROOF-BOX	16	80	400x600	790	70	2,0
4080/10	OVEN	10	89	400x800	790	200	17,0
	PROOF-BOX	8	80	400x800	790	70	2,0